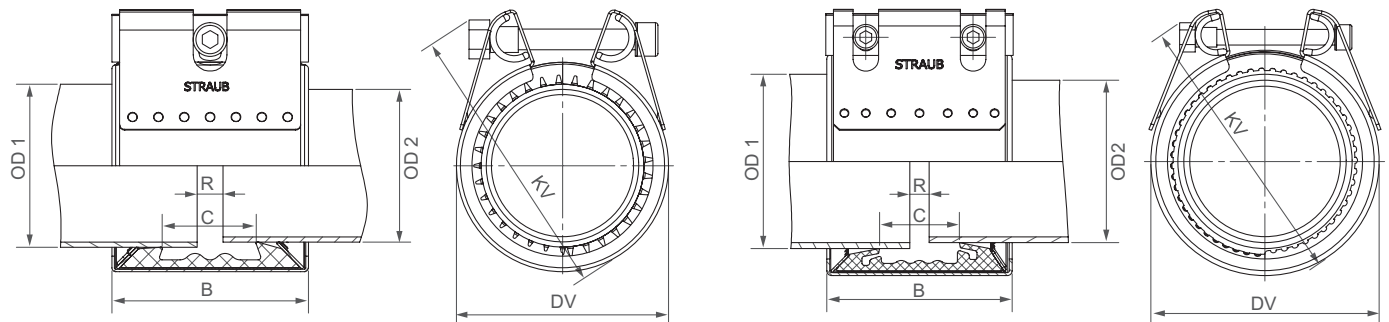


STRAUB-GRIP-L | Ø 48.3 - 168.3MM

Stepped coupling

Components / Materials	W1	W2	W4	W5
Casing				AISI 316 L or similar
Bolts				A4 - 80
Bars				AISI 316 L or similar
Anchoring rings				AISI 301
Strip insert (option)				AISI 316 L / PVDF

Sealing sleeve EPDM	Temp.: -20°C up to +100°C Medium: all qualities of water, waste water, air, solids and chemical products
Sealing sleeve NBR	Temp.: -20°C up to +80°C Medium: water, gas, oil, fuel and other hydrocarbons
Sealing sleeve FPM / FKM	Temp.: -20°C up to +180°C Medium: ozone, oxygen, acids, gas, oil and fuel (only with strip insert)



* Stepped coupling with single bolt

Pipe 1 [mm]	Pipe 2 [mm]	Clamping range		PS [bar]	B [mm]	C [mm]	DV [mm]	KV [mm]	R without strip insert [mm]	R with strip insert [mm]	Torque rate [Nm]	Allen head [mm]	Thread M...
		OD 1 [mm]	OD 2 [mm]										
50.8	48.3	50.3 - 51.3	47.8 - 48.8	24	76	37	76	105	5	5 - 10	7.5	6	8
54.0	50.8	53.5 - 54.5	50.3 - 51.3	24	76	37	76	105	5 - 10	5 - 10	7.5	6	8
60.3 *	57.0	59.7 - 60.9	56.4 - 57.6	24	76	37	79	110	5 - 10	5 - 15	7.5	6	8
76.1	73.0	75.3 - 76.9	72.3 - 73.7	24	95	41	98	142	5 - 10	5 - 25	12	6	8
88.9	84.0	88.0 - 89.8	83.2 - 84.8	22	95	41	111	157	5 - 10	5 - 25	12	6	8
104.0 ¹	101.6	103.0 - 105.0	100.6 - 102.6	22	95	35	132	172	5 - 10	5 - 25	12	6	8
108.0	104.8	106.9 - 109.1	103.8 - 105.8	21	95	41	130	172	5 - 10	5 - 25	12	6	8
114.3	108.0	113.2 - 115.4	106.9 - 109.1	16	95	41	136	177	5 - 10	5 - 25	12	6	8
139.7	133.0	138.3 - 141.1	131.7 - 134.3	16	110	54	164	210	5 - 10	5 - 30	20	8	10
159.0	154.0	157.4 - 160.6	152.5 - 155.5	16	110	54	183	225	5 - 10	5 - 30	20	8	10
168.3	159.0	166.6 - 170.0	157.4 - 160.6	16	110	54	192	230	5 - 10	5 - 30	20	8	10

Typing errors may occur. Technical details are subject to change.

REMARKS:

- Follow fitting / disassembly instructions
- PS = Working pressure considering the application loads
Test pressure = PS x 1.5 (for example industry, water supply etc.)
- The pressure values are valid on radial rigid carbon steel pipes under static loads
- For minimum wall-thickness of pipe, see Technical Manual STRAUB
- Strip inserts are required for special applications

¹ with EPDM and NBR sealing sleeve available